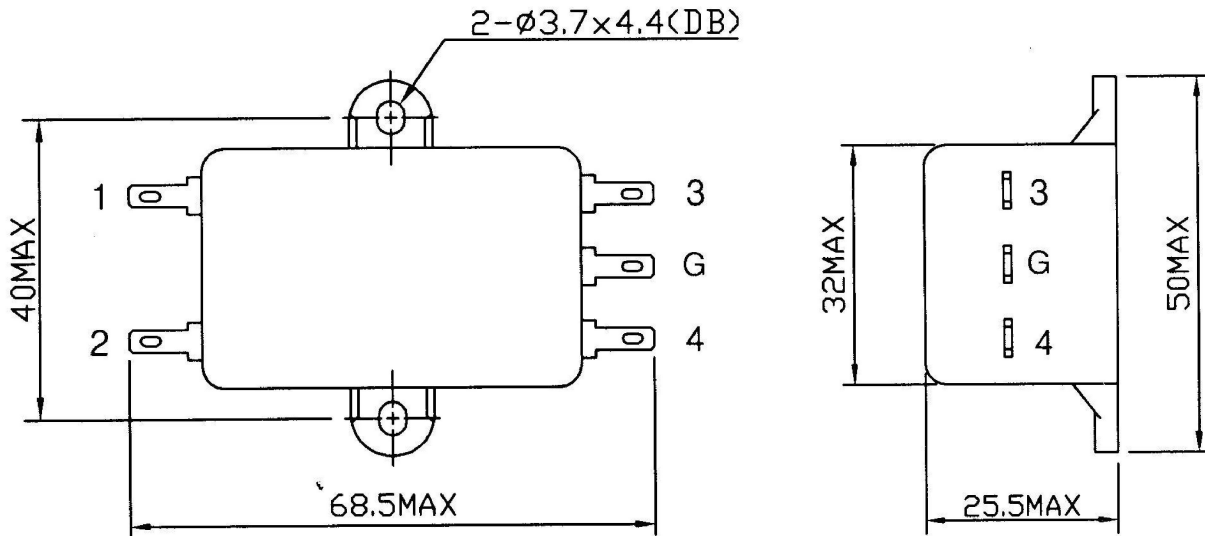


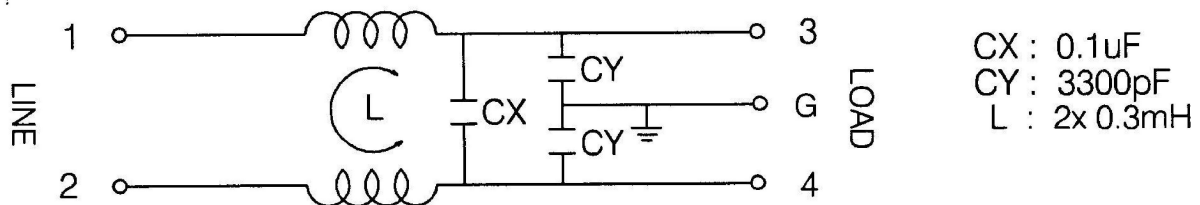
# CHASSIS MOUNT EMI FILTER 10A/250VAC MS4001

## DATA SHEET

### 1. PHYSICAL DIMENSIONS:(mm)



### 2. SCHEMATIC:



<b>PART NAME</b>	<b>EMI FILTER</b>
<b>PART NO</b>	<b>MS 4001</b>

**3.ELECTRICAL CHARACTERISTICS:**

- 3-1.RATED VOLTAGE ..... 125/250VAC
- 3-2.RATED CURRENT ..... 10 A
- 3-3.OPERATING FREQUENCY ..... 50/60Hz
- 3-4.LEAK CURRENT:EACH LINE TO GROUND  
250VAC 50Hz ..... 0.8mA MAX
- 3-5.HIPOT RATING:(FOR ONE MINUTE)  
LINE TO LINE ..... 1450VDC  
LINE TO GROUND ..... 1800VAC
- 3-6.INSULATION RESISTANCE ..... 250VDC/100MOHM MIN
- 3-7.DIRECT CURRENT RESISTANCE ..... 0.1 OHM MAX
- 3-8.OPERATING TEMPERATURE ..... -25 TO +85°C