

**(1) Input for UHF Antenna (or combination VHF/UHF antenna)**

If using a combination VHF/UHF antenna, the combination link (4) must be fitted. If using separate UHF antenna at input (1) and VHF antenna at input (2), the combination link (4) must be removed.

(2) Input for VHF antenna

Connect a separate VHF antenna to this input. See (1) for information.

(3) RF Output/Power supply

This is the output of the masthead amplifier. The masthead amplifier is powered via an included power injector supply through the coaxial cable connected to this output. The power injector is installed at the main coaxial outlet inside the house, so that it “injects” power back up the coaxial cable to the masthead amplifier’s RF Output.

(4) Combination Link

When using a combination VHF/UHF antenna, install this link. When using separate VHF and UHF antennas, remove this link. See (1)

(5) FM Trap IN

To attenuate FM signals, install this link. This is particularly useful where FM signals are strong, and can cause interference with TV signals.

(6) FM Trap Out

To allow FM signals to pass without attenuation, install the link at FM Trap out (5)

(7) UHF gain control

To adjust the gain of the amplifier for UHF signals

(8) VHF gain control

To adjust the gain of the amplifier for VHF signals

Specifications

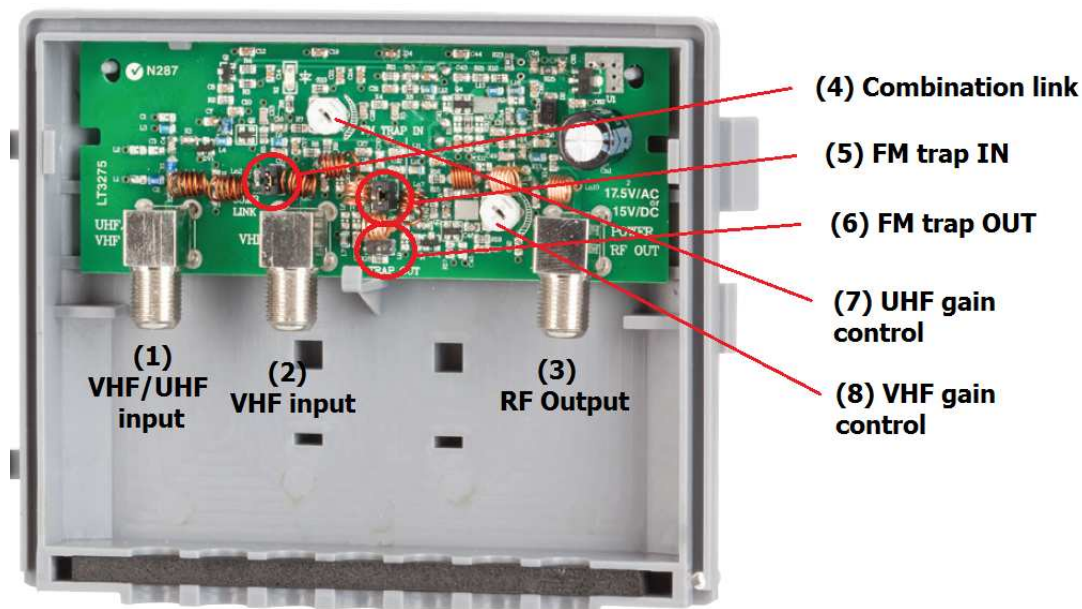
Max UHF gain: 26dB

Max VHF gain: 18dB

Noise figure: VHF 2dB, UHF 1.5dB

Supply voltage: 15Vdc 80mA, 17.5VAC 80mA

Output figure: 104dB DIN45004B (-60dB IMR)



Distributed by:
TechBrands by Electus Distribution Pty. Ltd.
320 Victoria Rd, Rydalmere
NSW 2116 Australia

Ph: 1300 738 555
Int'l: +61 2 8832 3200
Fax: 1300 738 500

www.techbrands.com

Made In China