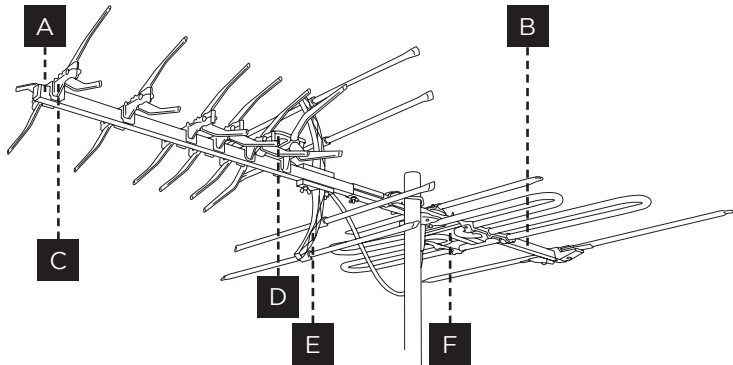




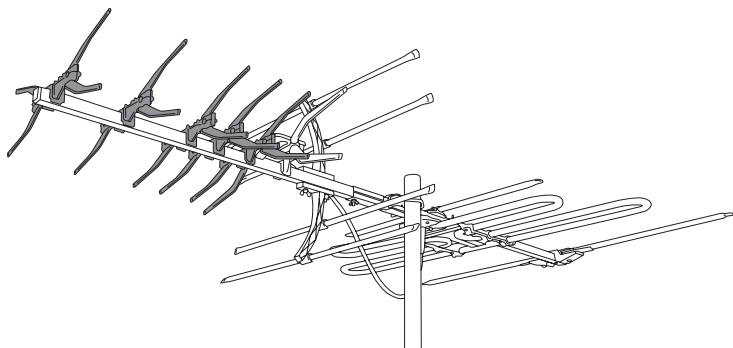
# Matchmaster

*For the Best*

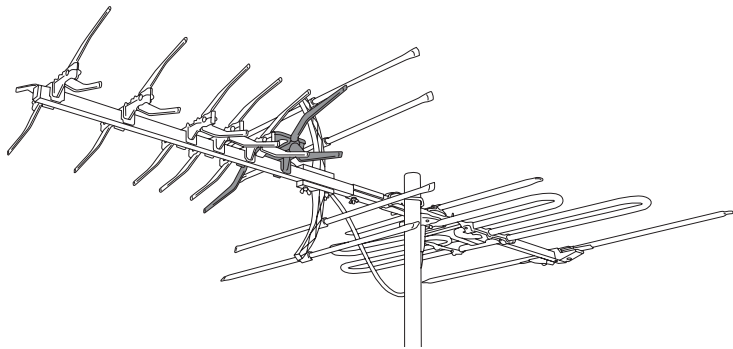
## 01MM-DG27 INSTRUCTION MANUAL



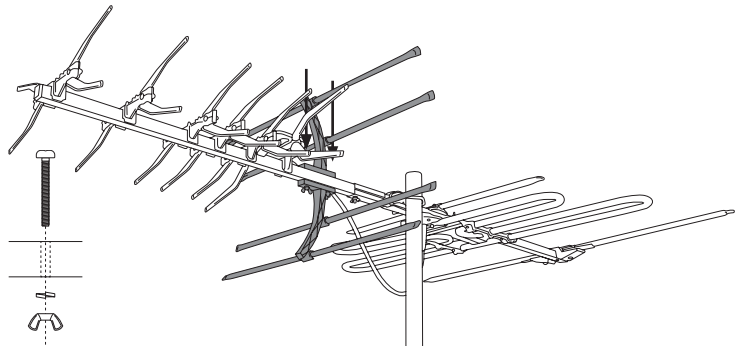
- |  |   |
|--|---|
| A. 1x Front 609mm Boom                                 | 1x 1/4" Wing Nut                                      |
| B. 1x Back 714mm Boom with Joiner and Mounting Bracket | 1x 3/16" x 1.25" Philips Head Bolt                    |
| C. 5x Snap On X Elements                               | 2x 3/16" x 1.75" Philips Head Bolt                    |
| D. 1x X Type Dipole Balun                              | 3x 3/16" Spring Washer                                |
| E. 2x Corner Screens                                   | 3x 3/16" Wing Nut                                     |
| F. 1x G-unit with Built-in Balun                       | 1x Rubber Boot Seal                                   |
| 1x 1/4" x 1.25" Bolt                                   | 1x RG6 Twist on 'F' Type Connector                    |
| 1x 1/4" x 18G Flat Washer                              | 1x 550mm 'F' Male to 'F' Male Interconnecting Flylead |
| 1x 1/4" Spring Washer                                  |   |



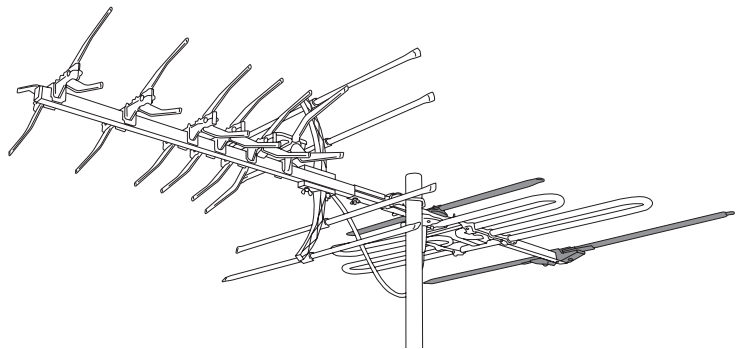
1) Snap on the five X type elements to the first five moulds located on the front 609mm boom.



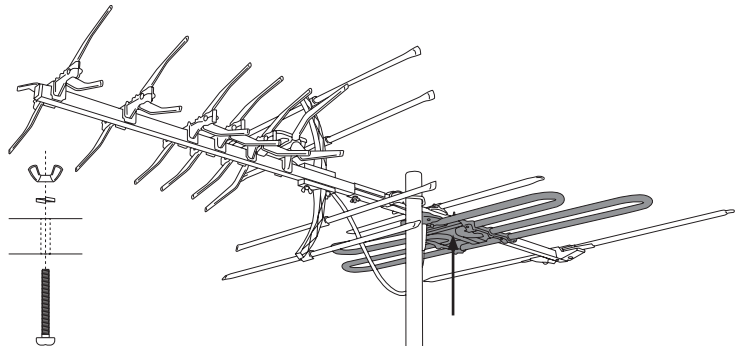
2) Click in the X type balun to the sixth mould located on the front 609mm boom. Ensure the connection points on the X type balun face the back of the antenna.



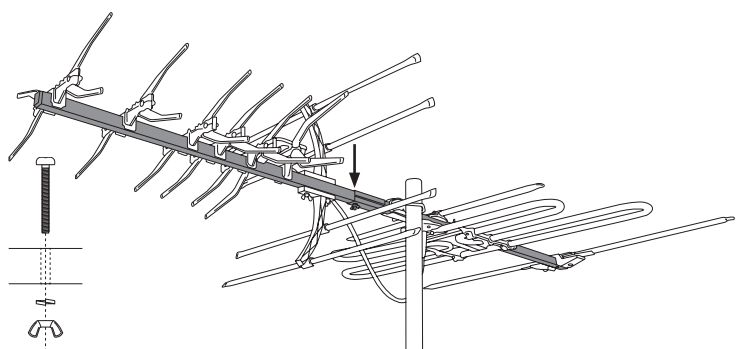
3) Install the two corner screens onto the top and underbody of the front 609mm boom behind the X type balun, using 3/16" x 1.75" Philips head bolts and two pre-drilled holes. Make sure you install the spring washer and wingnut on the underbody of the boom body.



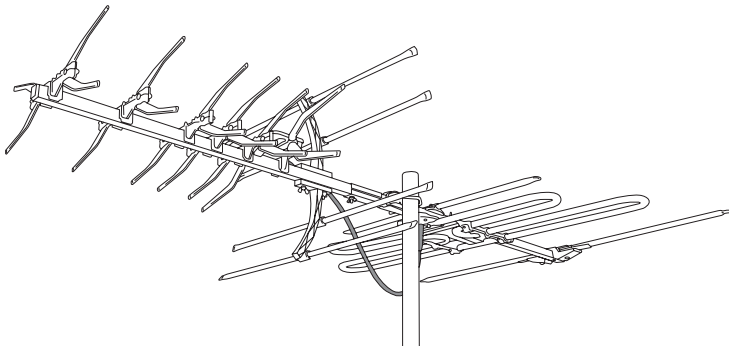
4) Snap out the three riveted swivel lock elements on the back 714mm boom.



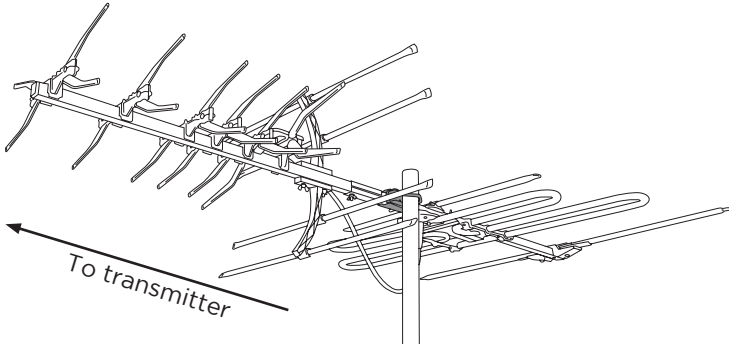
5) Attach the G-unit to the back 714mm boom underbody with the balun closer to the front of the antenna, lining up the pre-drilled holes located on the G-unit and boom. Bolt these two units together using the 1/4" bolt, flat washer, spring washer and wingnut provided in the small plastic bag. Ensure you install the flat washer, spring washer and wingnut on top of the boom body.



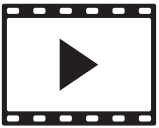
6) Join the front 609mm boom to the back 714mm boom using the 3/16" Philips head bolt, spring washer and wingnut provided in the small plastic bag. Make sure you install the spring washer and wingnut on the underbody of the boom body.



7) Connect the supplied 550mm interconnecting flylead by screwing one end onto the connection of the X type balun labelled "Input". Then, connect the other end to the G-units built-in balun. Finally, twist and push the rubber boots over the connections to create a weather seal.



8) Attach the antenna to the mast using the U-bolt and point to your nearest transmitter. Slide the rubber boot seal into your coaxial cable. Strip the coaxial cable, attach the connector provided, and connect to the antennas X type balun labelled "Output". Fix the coaxial cable down the mast using UV grade insulation tape and cable ties.



**SCAN TO WATCH  
SETUP VIDEO**