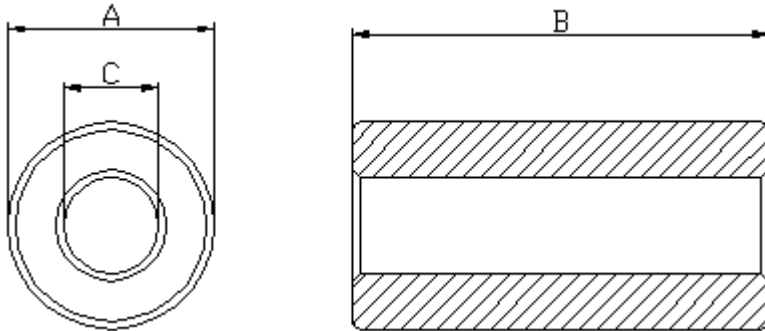


SPECIFICATION

ITEM NO : LF1256

(1).DIMENSION(Unit : m/m)



A	8.0±0.25	m/m
B	16.0±0.4	m/m
C	5.5±0.2	m/m
D		m/m
E		m/m
F		m/m
G		m/m
H		m/m
I		m/m
P		m/m

(2).ELECTRICAL REQUIREMENTS :

L	uH mH	TEST FREQ.	KHZ MHZ
Q		TEST FREQ.	KHZ MHZ
RDC			
IDC			
Z	30 Min OHM	TEST FREQ.	25 MHZ
Z	55 Min OHM	TEST FREQ.	100 MHZ
Z	OHM	TEST FREQ.	MHZ
Winding	0.8x100mm 1Ts		

(3)TEST INSTRUMENTS

- HP 4285A Q.METER
- HP 4285A L.CR METER
- LABORATORY DC POWER SUPPLY
- DELICA DMC-230S DIP METER
- DELICA DMC-470S DIP METER
- HP 4291B RF IMPEDENCE ANALYZER

TEST DATA

ITEM NO.	LF1256					
TEMP.	23°C	RH	75%			
WIRE	0.8x100mm	WINDING	1Ts			
TEST INSTRUMENTS						
MEAS. ITEM	A mm	B mm	C mm			
Spec.	YOUR					
	SUGGEST	8±0.25	16±0.4	5.5±0.2		
TEST FREQ.						
1	7.82	15.99	5.38			
2	7.81	15.96	5.40			
3	7.81	15.89	5.38			
4	7.84	15.94	5.42			
5	7.82	15.98	5.41			
6	7.83	15.96	5.39			
7	7.81	15.94	5.40			
8	7.84	15.92	5.39			
9	7.84	15.96	5.38			
10	7.82	15.95	5.41			
\bar{X}	7.82	15.95	5.40			
R	0.03	0.10	0.04			

PART NO : L F1256
 CABLE : 0.8x100mm 1ts
 TEST EQUIPMENT : AGILENT - 4291B
 FIXTURE : HP16092A
 PRINT TIME :
 TEST PARAMETER : |Z| (OHM)

TEST FREQ(MHZ)	1	5	10	25	50	100	200	300	400	500
SAMPLE 1	: 5	21	32	48	62	80	122	177	257	374
SAMPLE 2	: 5	21	32	48	62	81	122	179	258	379
SAMPLE 3	: 5	21	32	49	63	81	123	180	261	383
SAMPLE 4	: 5	21	32	48	63	82	124	182	263	387
SAMPLE 5	: 5	21	32	48	62	81	123	180	261	384
SAMPLE 6	: 6	22	33	49	63	81	124	181	262	383
SAMPLE 7	: 5	21	32	48	62	81	124	182	263	388
SAMPLE 8	: 5	21	32	48	62	80	122	178	257	375
SAMPLE 9	: 5	21	32	47	61	80	121	179	257	373
SAMPLE 10	: 5	21	32	48	62	80	122	179	259	382
AVERAGE	: 5	21	32	48	62	81	123	180	260	381

