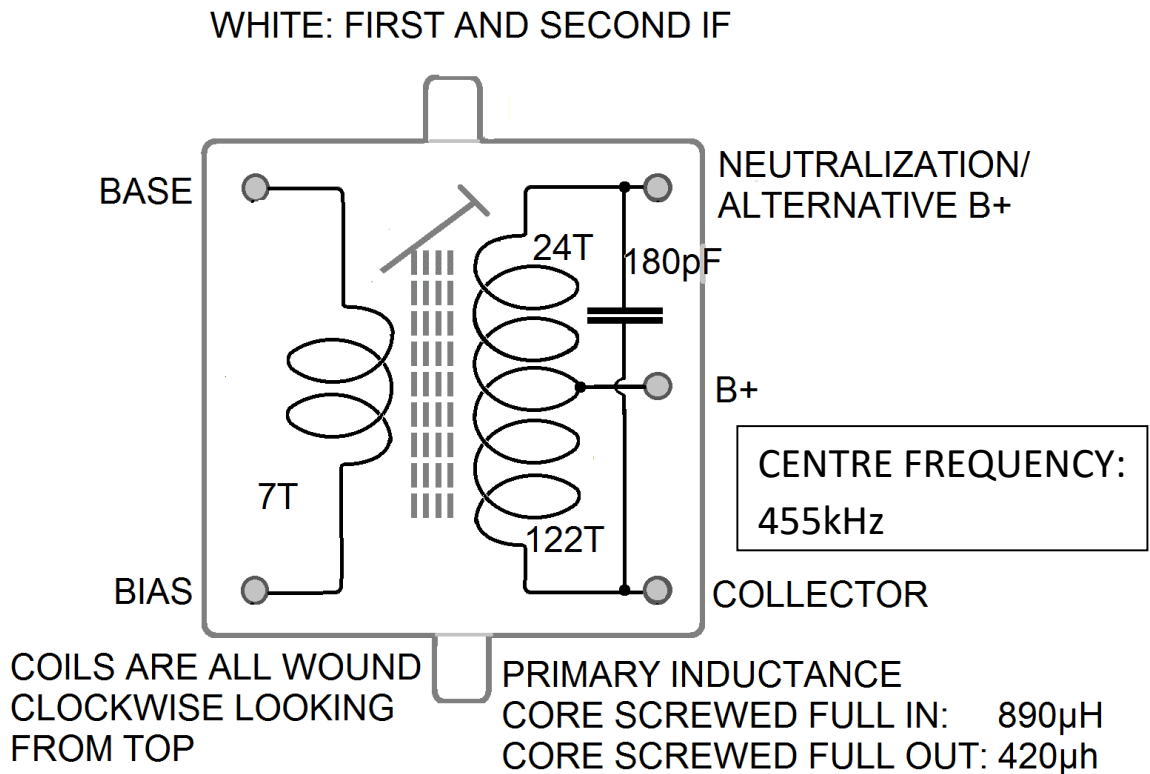
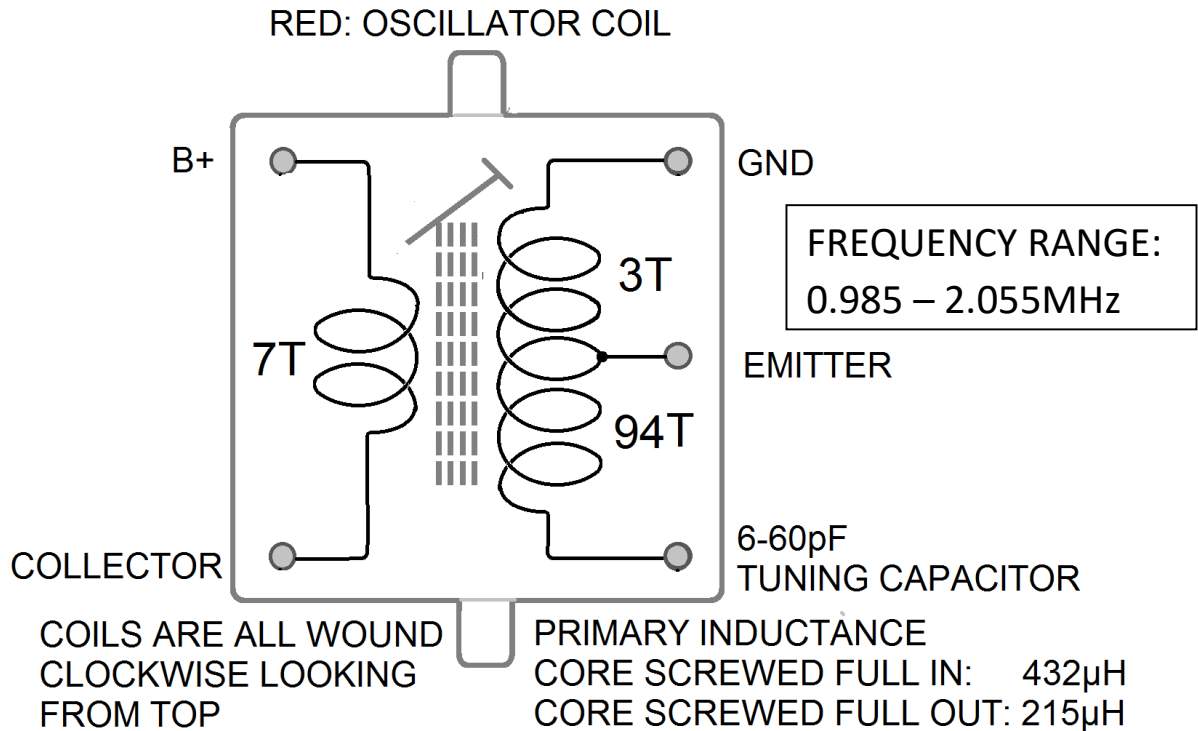
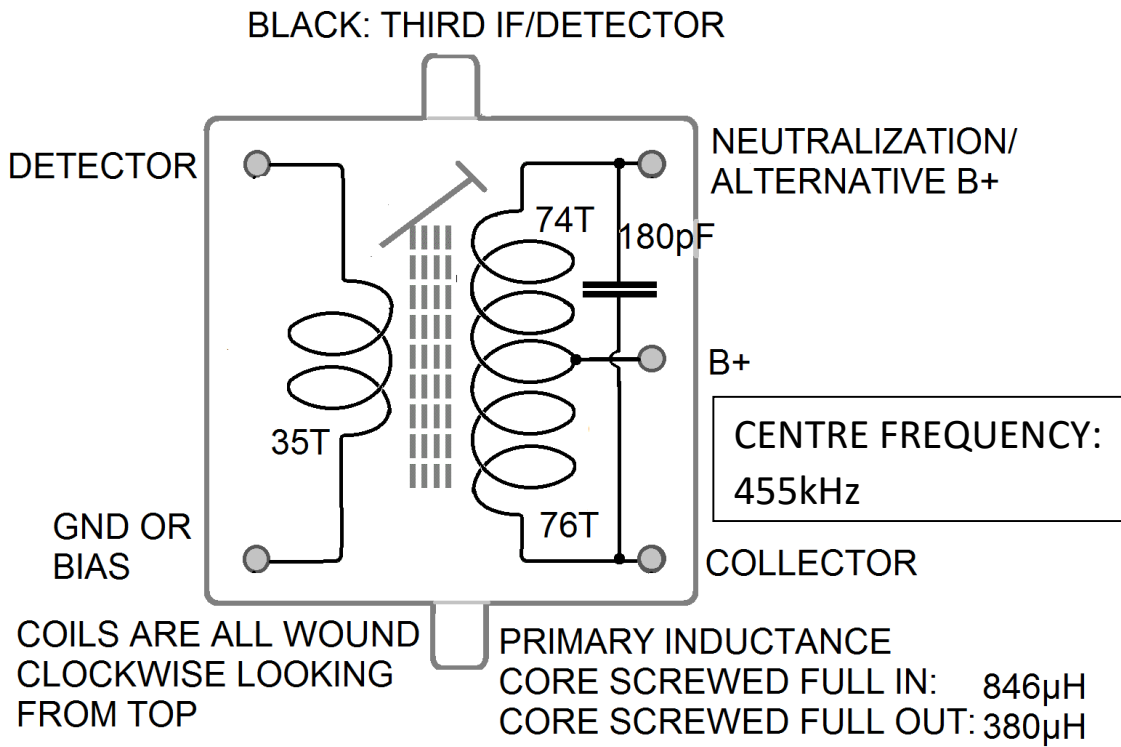


Construction details for LF1050 coil set

Note: All connection diagrams are looking from Top





COIL FORMER AND CASE DIMENSIONS

(Case height is not critical. Coil former pins need to match existing legacy PCB designs)

