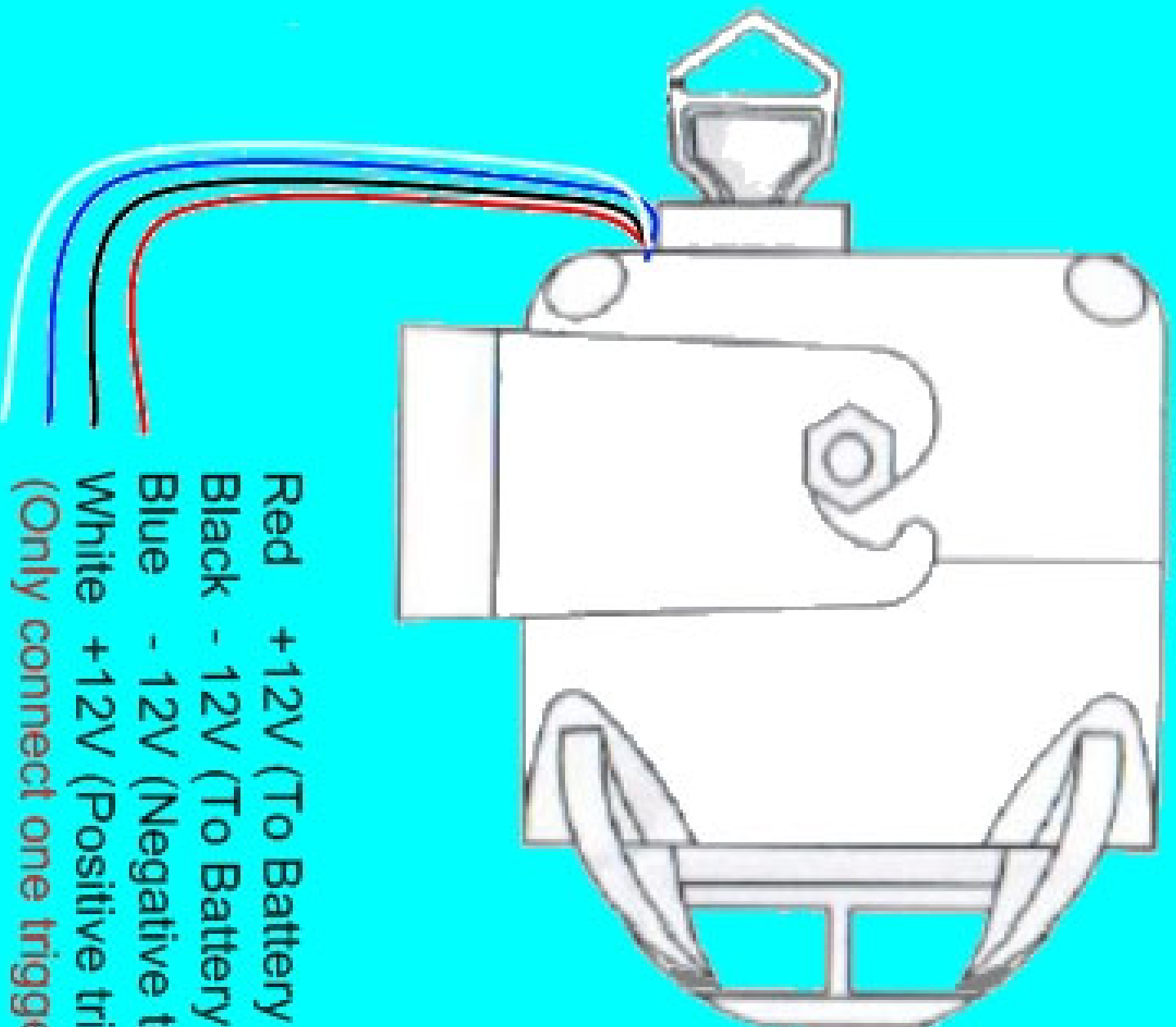


LA-8912



Red +12V (To Battery +)

Black - 12V (To Battery -)

Blue - 12V (Negative trigger from Alarm)

White +12V (Positive trigger from Alarm)

(Only connect one trigger input)