

LA-5176 Solar Wireless Doorway Infrared Beam

Introduction

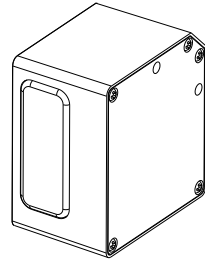
Solar Wireless Doorway Infrared Beam can expand the functionality Wireless announcers series (i.e. LA5172, LA5174 and LA5173)

Please read this manual carefully before commencing installation.

Contents

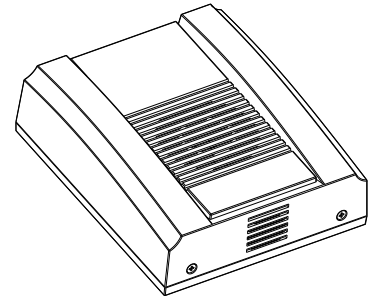
Solar Wireless Doorway Infrared Beam x 1

It receives the band-base center frequency (e.g. 38 kHz); if have Continuous signals at any frequency or have barrier or have person between viewfinder and it, then can not send output signal



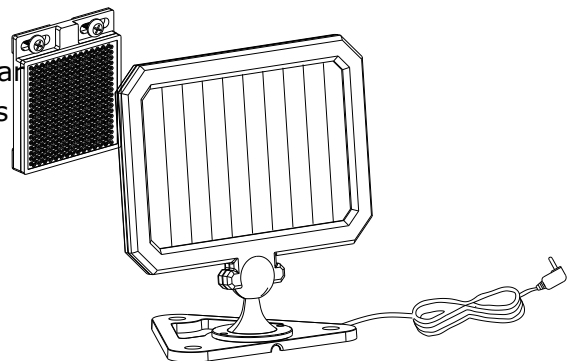
Wireless Door Announcer x 1

The unit receives signals from the Solar Wireless doorway Infrared Beam and generate alert sound.



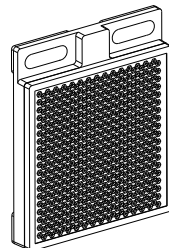
Solar panel x 1

It is used to charge the rechargeable batteries for the Solar Wireless doorway Infrared Beam. When the Solar Wireless doorway Infrared Beam is connected to the Solar Panel, its battery will last longer



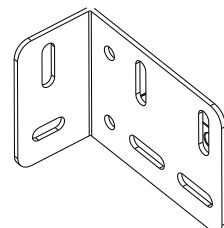
Reflector x 1

Reflect signal to the Solar Wireless doorway Infrared Beam



fixing panel x 1

use to fix the Solar Wireless doorway Infrared Beam housing



Remarks : Batteries are not included in the kit

Tools Required

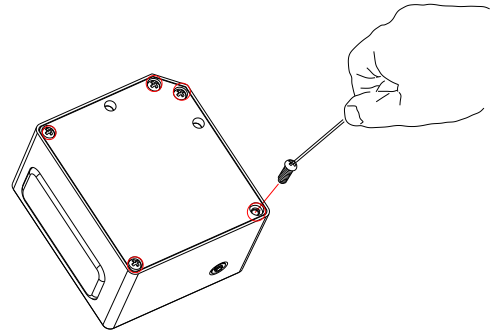
- Large and small flat bladed screwdrivers
- Large and small cross-point screwdrivers
- Hammer

Please Note: Tools are not included, consult a professional if you need assistance

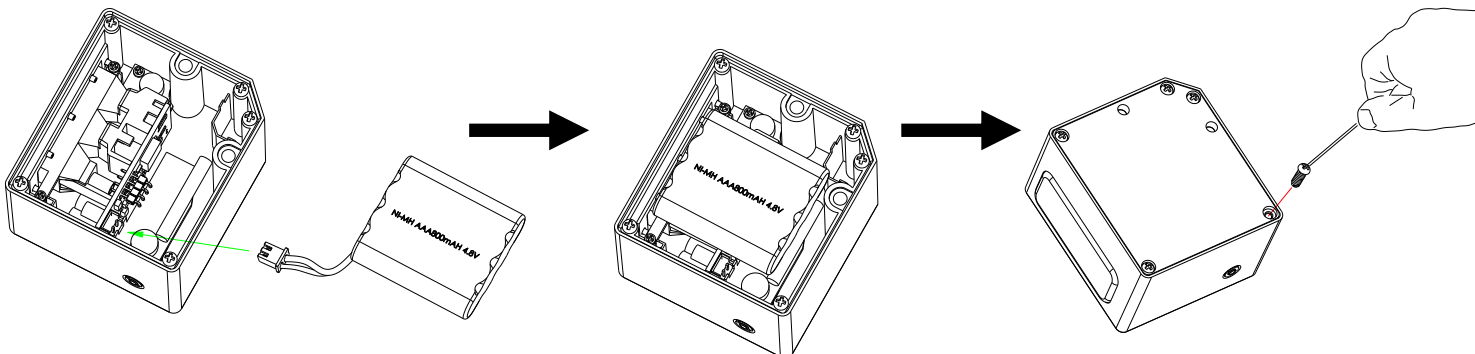
Installation

Solar Wireless Doorway Infrared Beam

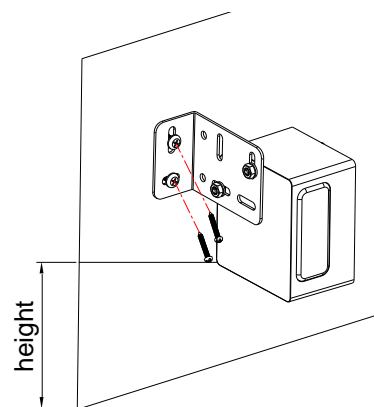
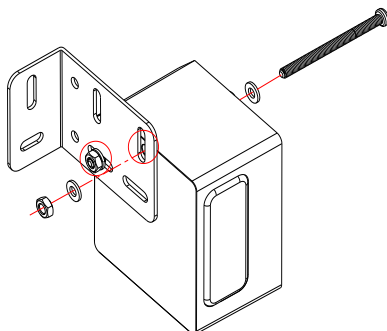
Step 1: Remove Infrared Beam base cover by loosening five screws.



Step 2: Place 4 x 1.2V batteries pack inside the battery compartment with the correct polarity and then close the base cover and screw it up.



Step 3: fix Infrared Beam , use fixing panel ;then set fixing panel fix to the wall; fixing height by yourself demand (height from 30 to 120cm)

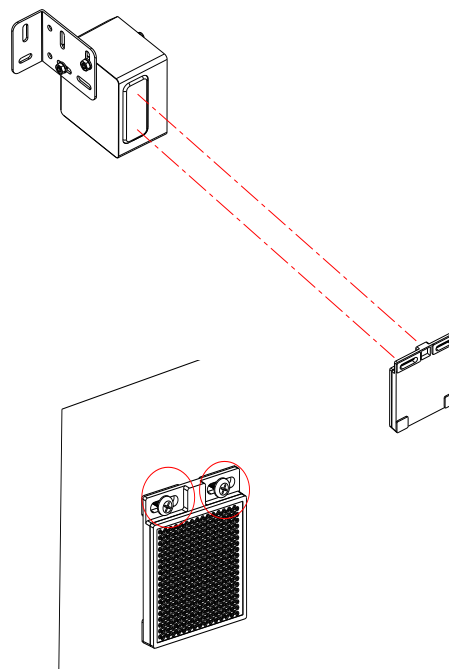


Note: Infrared Beam cannot dead against sun's rays

Step 4: set Infrared Beam and reflector in the same level

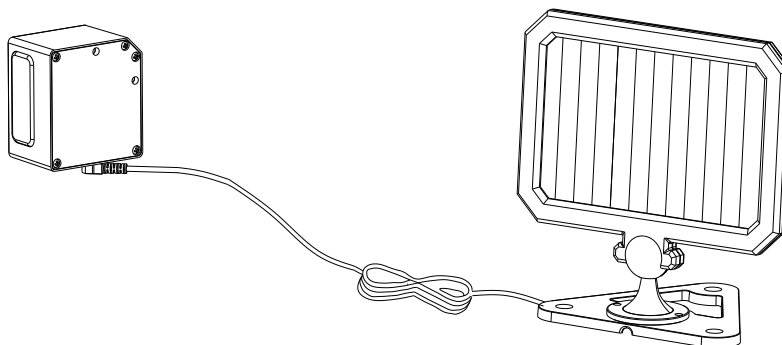
Between Infrared Beam and reflector distance
(from 0m to 6m)

Note: if you install correctly, moving your hand it front of the Infrared Beam, Infrared Beam led flash 4 times, the door announcer will give off "beep-beep-beep " sound



Step 5: fasten the reflector

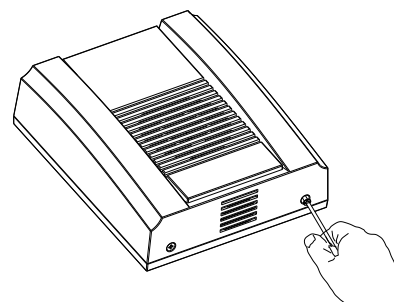
Step 6: Plug-in the Solar Panel into the Wireless Infrared Beam for charging the batteries.



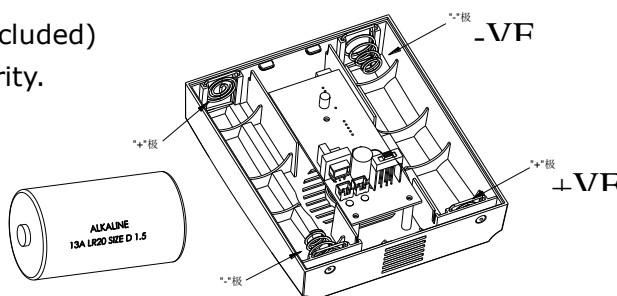
Wireless Door Announcer

CAUTION: When positioning the door announcer ensure that it is located in a dry place away from damp areas.

Step 1: Unscrew and retain the holding screw from front cover. Remove the front cover(s) from the base assembly.

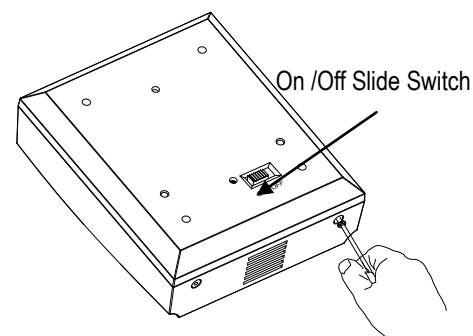


Step 2: Place 4 x 1.5V D-Cell Alkaline batteries (not included) inside the battery compartment with the correct polarity.





Step 3: Close the front cover and screw it up. Turn on the unit and two short "beeps" are heard. The unit is now operational. Place the unit to the suitable location according to your own needs.



Operation

After powering up both the door announcer and Solar Wireless doorway Infrared Beam, trigger the unit by moving your hand in front of the Infrared Beam. The Infrared Beam red LED will be flash 4 times and the door announcer will give off "beep-beep-beep" sound

Maintenance

- 1). Test all detectors once every 3 months
- 2). It is suggested to replace all batteries in the door announcer once a year.
- 3). It is suggested to check batteries pack in the Infrared Beam once every 6 months .

Specification

Solar Wireless doorway Infrared Beam

Type	IR Receiver Modules for Remote Control Systems
Housing	ABS
LED	On/off indicator
Fixing place length	0---6m
Fixing place height	0.3---1.2m
Power Supply	4 X1.2 AAA rechargeable battery pack

Wireless Door Announcer

Type	Microprocessor based control unit
Housing	ABS
Radio System	433MHz
Coverage Range	~100m
Power Supply	4 X 1.5V D-Cell Alkaline Battery (not included)
Temperature	0°C ~ 40°C

Solar panel

Type	Solar battery
Housing	ABS
Power output wire	PJ2.5 φ3.0 x 2.5m white