

# HS8811-12-13 TILT KIT REAR LEG DATA SHEET



## Tilt Kit Rear Leg

Tilt Kit rear leg is one of the key support kit in Adjustable Tilt Mount system, which make system tilt and angle adjustable.

### ADVANTAGES

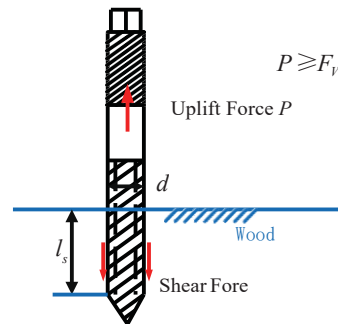
- Pre-assembled
- Easy installation
- Angle adjustable
- Highly waterproof
- High class anodized

### PRODUCT LINE

| Item         | Product Name                       |
|--------------|------------------------------------|
| CK-FTA-BL200 | Tilt Kit Rear Leg 10-15 deg HS8811 |
| CK-FTA-BL360 | Tilt Kit Rear Leg 15-30 deg HS8812 |
| CK-FTA-BL660 | Tilt Kit Rear Leg 30-60 deg HS8813 |

### PRODUCT LINE

|               |                     |
|---------------|---------------------|
| Main Material | AL 6005-T5          |
| Uplift P      | $N \cdot F_v$ (N=2) |
| Wind Velocity | Up to 60 M/S        |



### COMPONENT LIST

| MATERIAL                       | QTY |
|--------------------------------|-----|
| Tilt kit Aluminum Tub Part I   | 01  |
| Tilt kit Aluminum Tub Part II  | 01  |
| Tilt kit Aluminum Tub Part III | 01  |
| Tilt kit Aluminum Base Part IV | 01  |
| 057 Nut                        | 01  |
| 050 Nut                        | 01  |
| SUS304 Bolt M8*55              | 01  |
| SUS304 Nut M8                  | 01  |
| SUS304 Washer M8               | 01  |
| Silicon Pad                    | 01  |
| Wooden Screw 6.3*90            | 02  |

### WARRANTY



### ORDERING SPECIFICS

|                    |                  |
|--------------------|------------------|
| Standard Packaging | 25 SETS/CTN      |
| Dimensions         | 45X27X30/45/60CM |
| Weight             | 18/25/30KG       |