



PRODUCT LINE

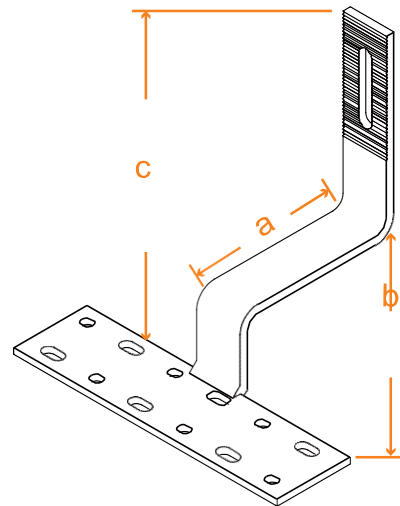
Item	Product Name
CK-FTH-01	Standing S Tile Hook 1#

PRODUCT LINE

Main Material	SUS304
Uplift P	N*Fv (N=3 standard qty)
Wind Velocity	Up to 60 M/S

S Tile Hook

S Tile Hook, different options offered to install on top of roof and side of roof rafter. Also, the hook can be side mount or top mount.



COMPONENT LIST

MATERIAL	QTY
SUS 304 Hook	01
057 AL Nut	01
SUS304 Bolt M8*25	01
SUS304 Washer M8	02
Wood Screw 6.3*65	03

WARRANTY



ADVANTAGES

- Enables simple, fast and cost-effective installation.
- Made of SUS 304.
- Highly corrosion resistant surface treatment.
- Fasteners and rail nut fully configured to save extra parts purchasing.

ORDERING SPECIFICS

Standard Packaging	10PCS/BOX 40PCS/CTN
Dimensions	51X38X22CM
Weight	25KG