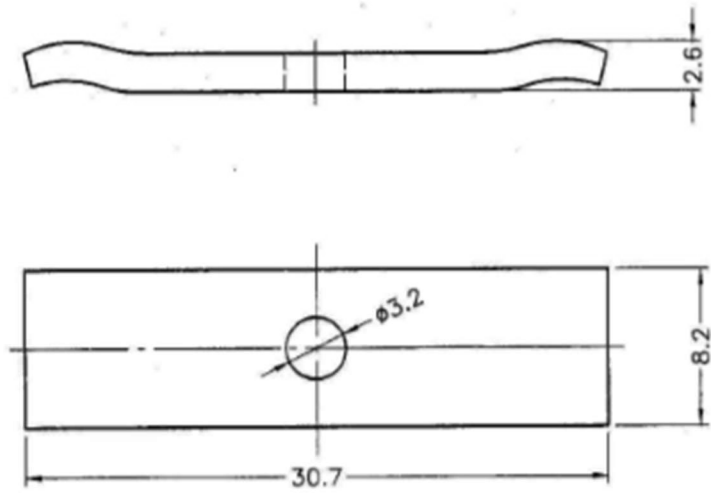


DUAL TO-220 TRANSISTOR MOUNTING CLAMP



ELECTUS
DISTRIBUTION

PART NUMBER	HH8605 HH8607	MATERIAL	STEEL
SCALE	3:1	UNT	mm
		UNLESS OTHERWISE SPECIFIED TOLERANCE	±0.2