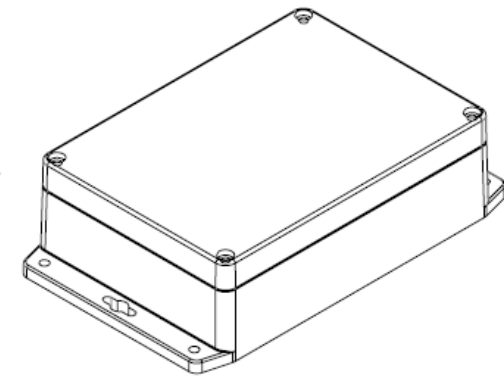
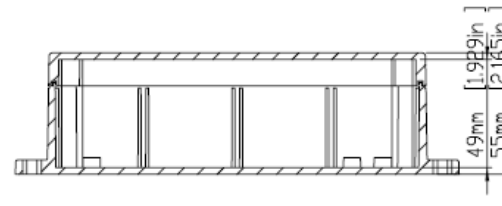
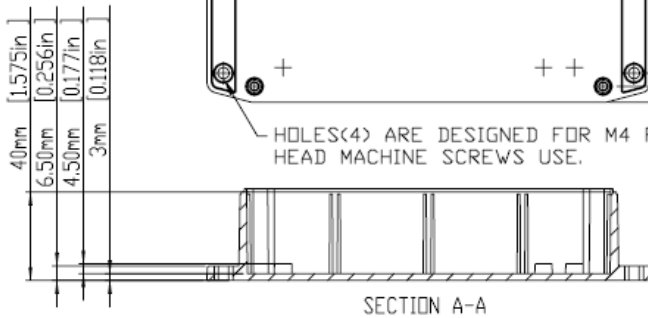
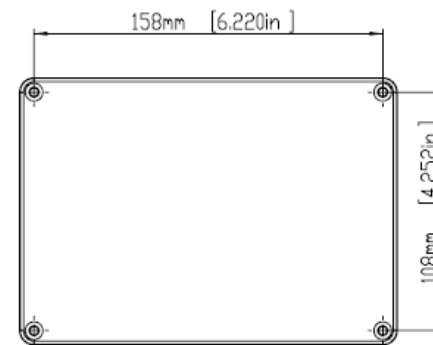
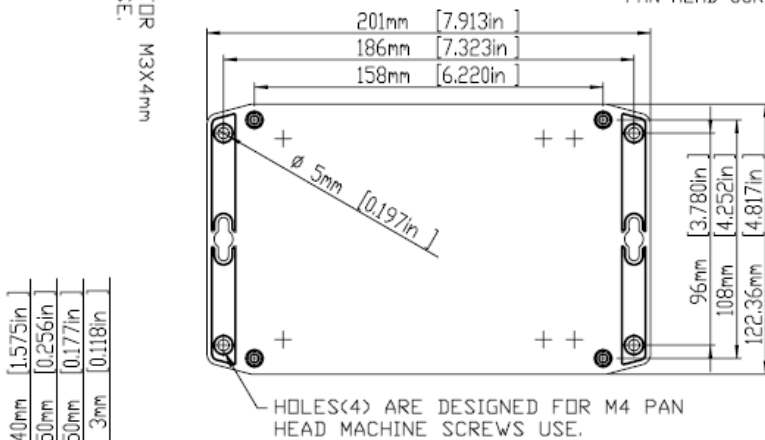
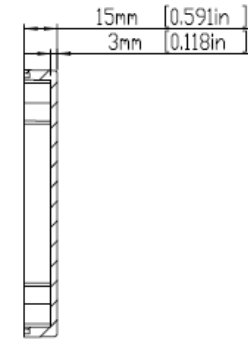
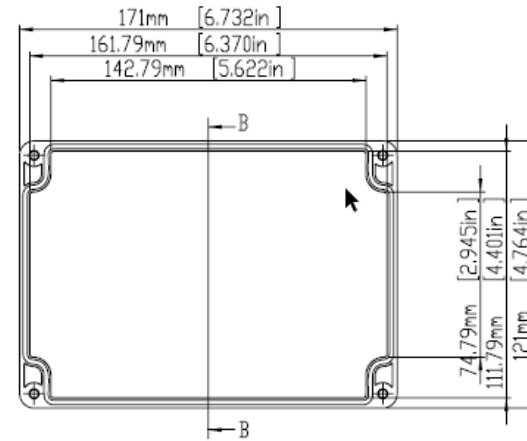
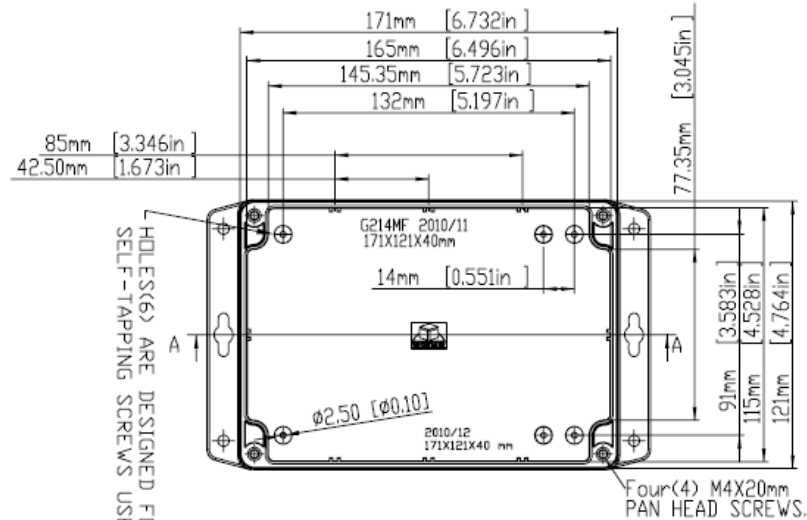


HB6125 Data Sheet



TOLERANCES: +/- 0.30 mm (+/- 0.012in)