

FOUR(4) M3X21mm HEAD SCREWS

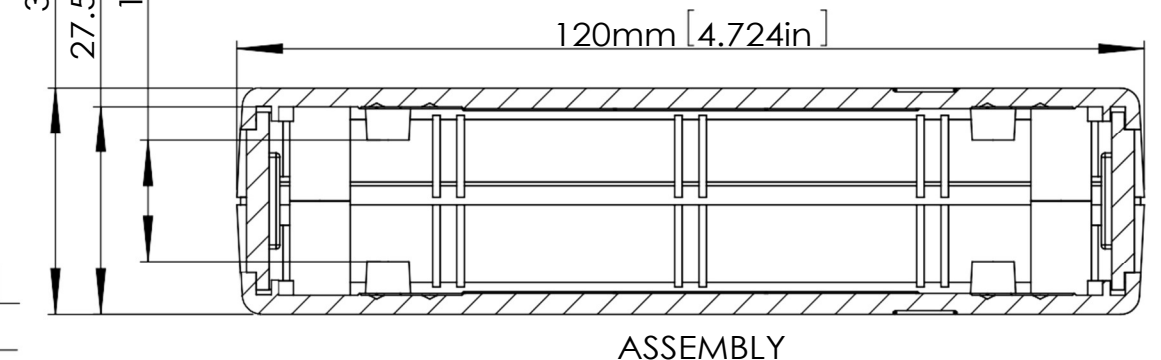
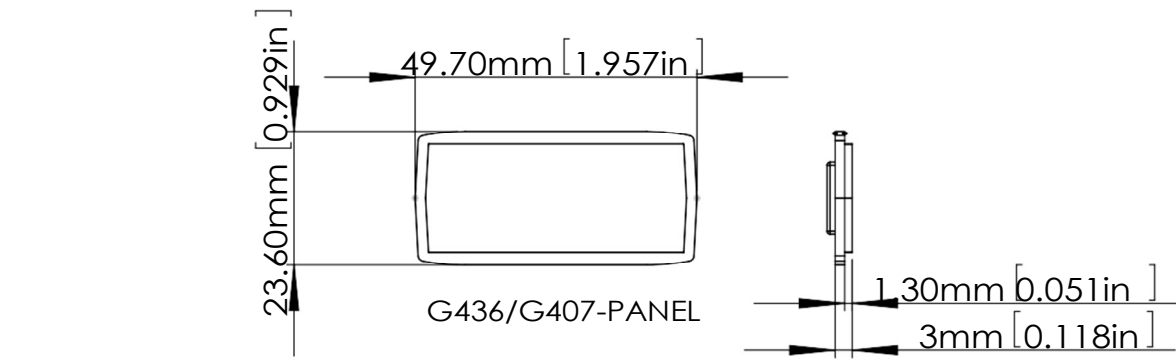
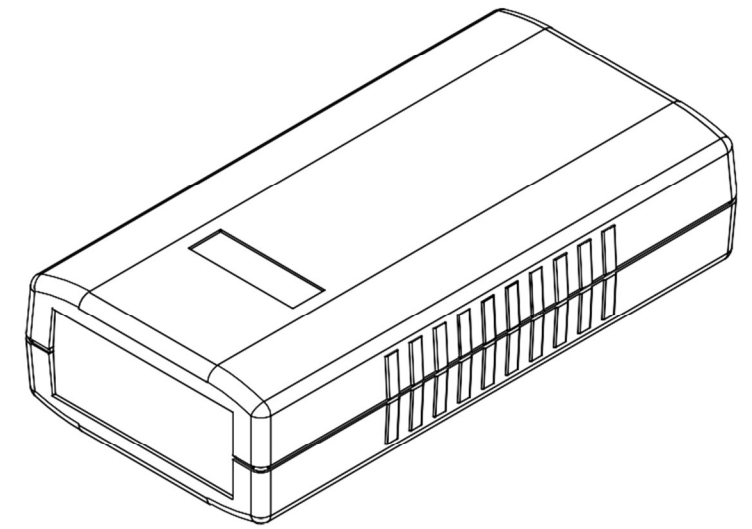
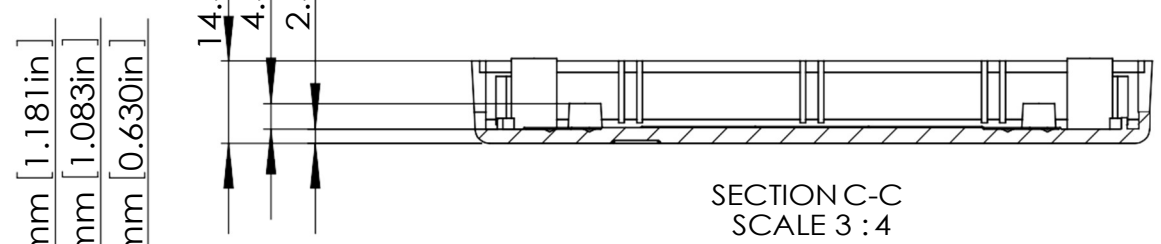
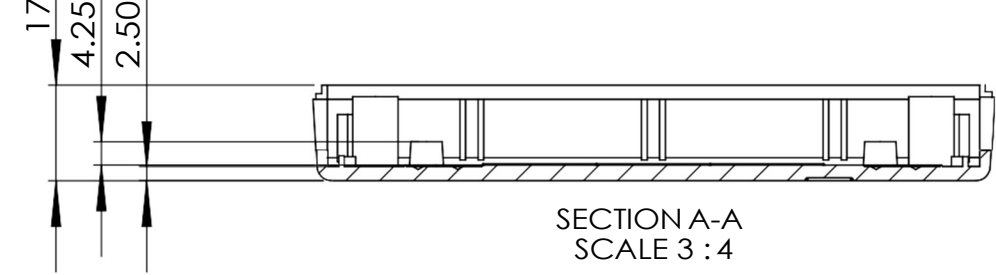
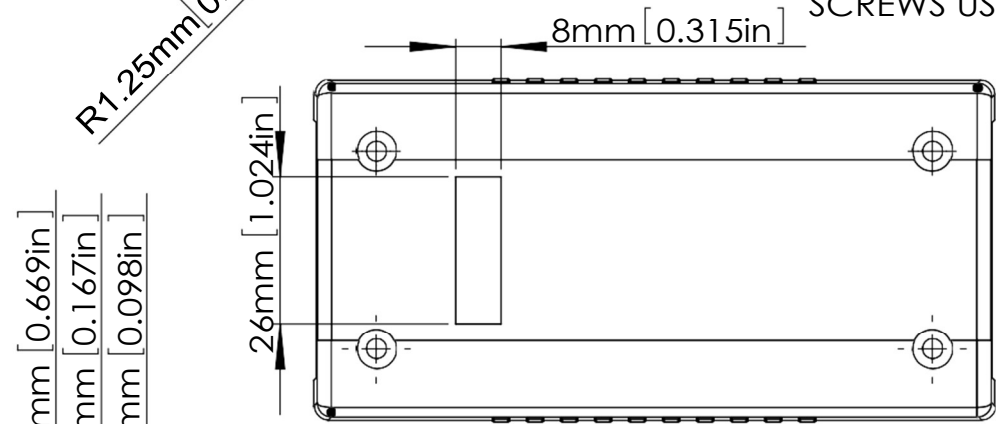
R1.25mm [0.049in]

HOLES(4) ARE DESIGNED FOR M3X8mm SELF-TAPPING SCREWS USE.

SECTION B-B SCALE 3:4

HOLES(4) ARE DESIGNED FOR M3X8mm SELF-TAPPING SCREWS USE.

SECTION D-D SCALE 3:4



According to ISO 2768-m	
Measuring DIM=L	Tolerances
0.5<L<=3.0mm	+0.1mm
3.0<L<=6.0 mm	+0.1mm
6.0<L<=30.0 mm	+0.2mm
30.0<L<=120.0 mm	+0.3mm
120.0<L<=400.0 mm	+0.5mm
400.0<L<=1000.0 mm	+0.8mm
	±

TITLE:  
HB6032